



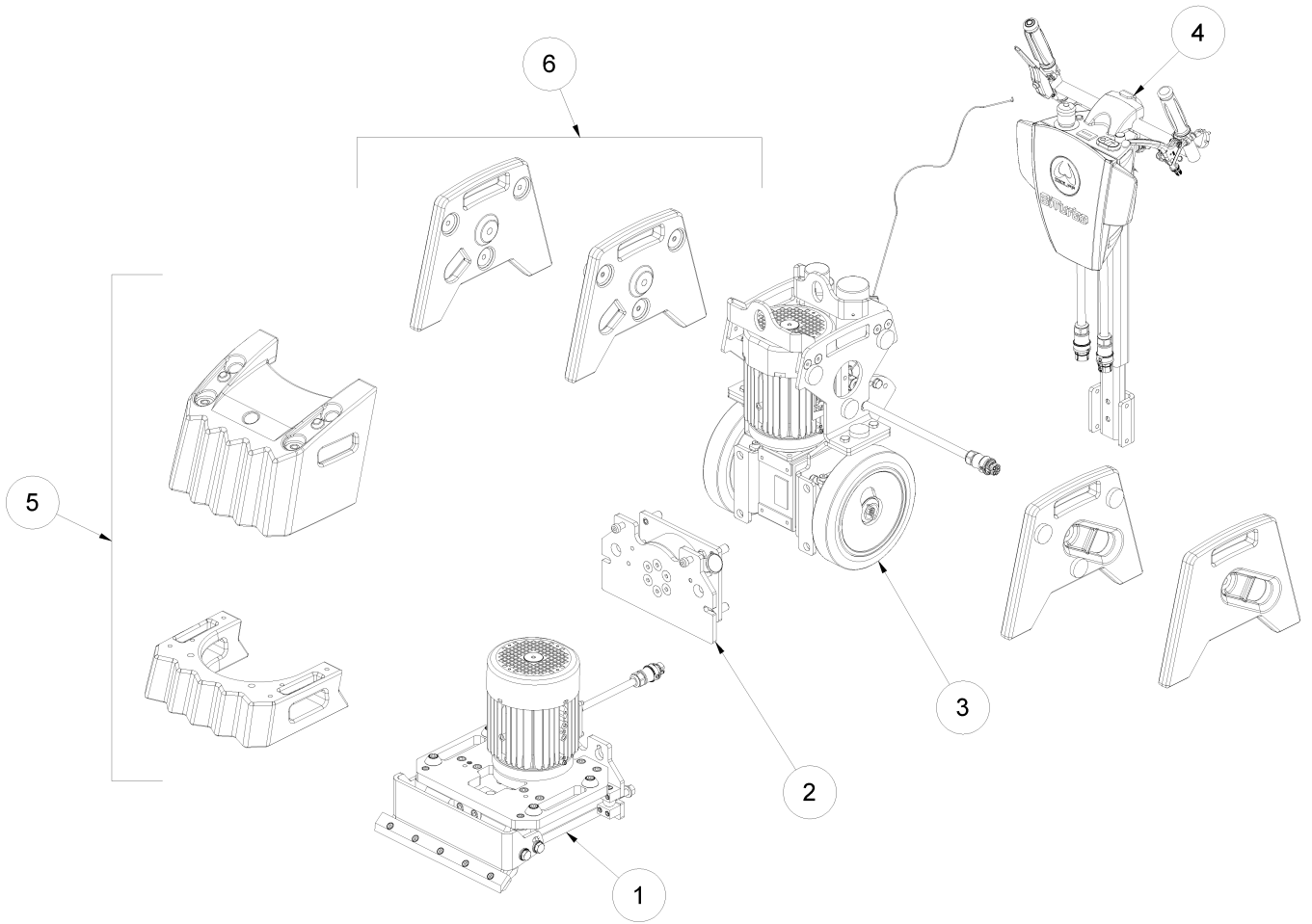
spare parts list BiTurbo 230V 60Hz USA



Table of contents

1 BiTurbo USA (0001/2019 -0002/2021)	3
1 Impact	5
5 Swinger complete BiTurbo	7
6 Sleeve complete BiTurbo	9
23 BG Excenter Shaft BiTurbo	11
2 Swivel joint	13
3 Drive unit	15
4 Drive wheel complete Ø250 BiTurbo	18
23 Tooth coupling complete BiTurbo	20
4 Handle	22
45 Handle complete BiTurbo	26
46 Backstop complete BiTurbo	28
5 Front weights	30
6 Rear weights	32
7 Circuit diagram	34
8 Tool kit	36
9 Accessories	38

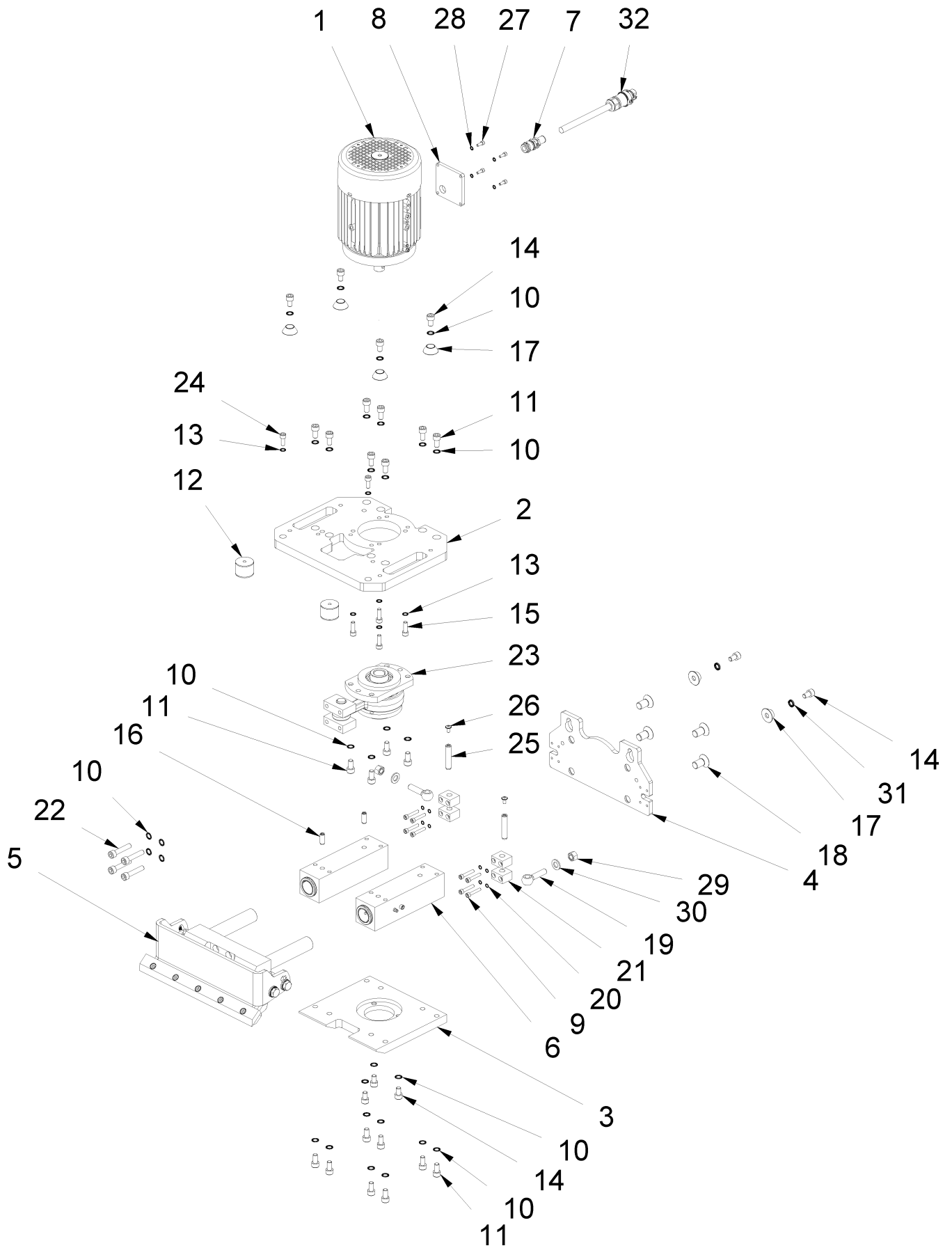
1 BiTurbo USA (0001/2019 -0002/2021)



1 BiTurbo USA (0001/2019 -0002/2021)

Item no.	Article no.	Description
1	01_01_087756	Impact
2	01_02_087747	Swivel joint
3	01_03_087790	Drive unit
4	01_04_089260	Handle
5	01_05_085000	Front weights
6	01_06_085000	Rear weights
7	01_07_085000	Circuit diagram
8	01_08_087953	Tool kit
9	01_09_085000	Accessories

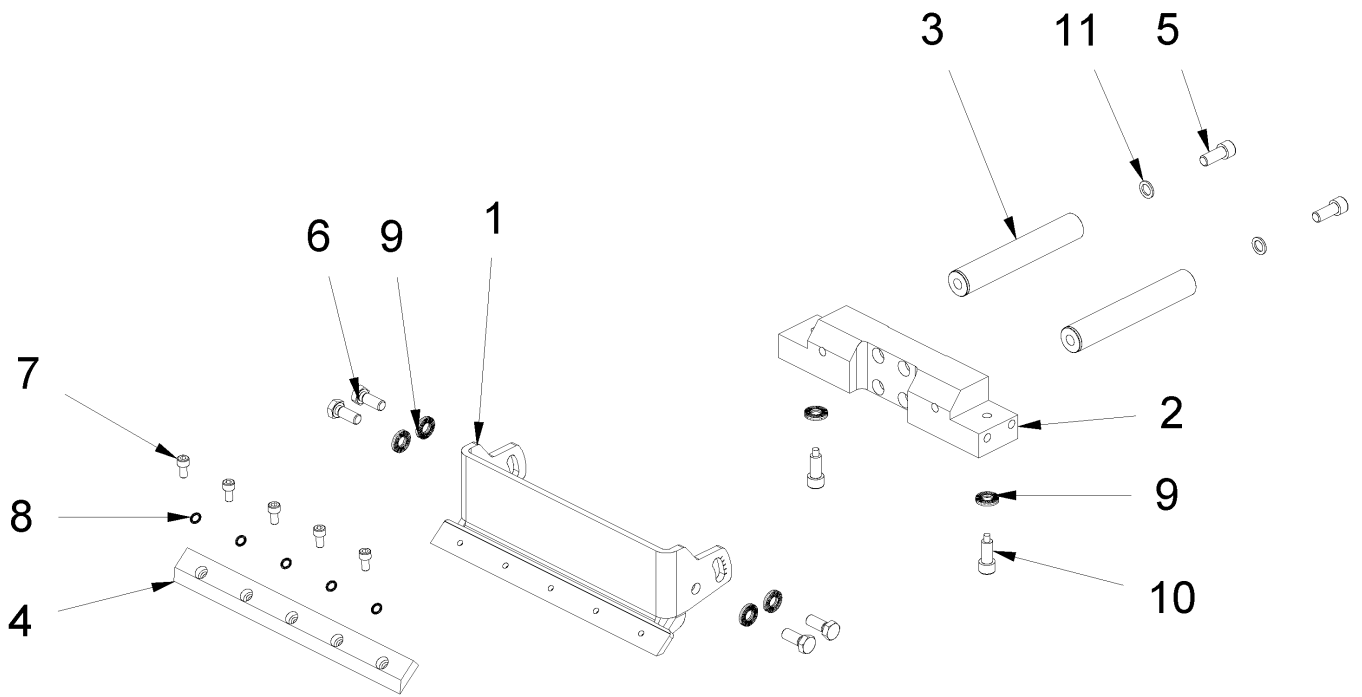
1 Impact



1 Impact

Item no.	Article no.	Description	Quantity
1	087729	Motor Impact system 1,5kW 230V BiTurbo	1
2	087648	Frame plate top BiTurbo	1
3	087651	Frame plate below BiTurbo	1
4	087622	Mounting plate Impact BiTurbo	1
5	088986	Swinger complete BiTurbo	1
6	087755	Sleeve complete BiTurbo	2
7	087758	Cable glandSR-M 20x1,5/KB13-15mm	1
8	088519	Cover Terminal box BiTurbo	1
9	018264	Cylinder head screw M 6x35 DIN 912	8
10	014861	Washer M10	31
11	018301	Cylinder head screw M10x20 DIN 912	20
12	077748	Rubber stop Ø40x30-M8	2
13	014860	Schnorr Washer M8	6
14	014740	Cylinder head screw M10x16 DIN 912 10.9	9
15	014735	Cylinder head screw M8x25 DIN 912	4
16	087935	Cylindrical pin 10x26 DIN 7979	2
17	087680	Cone for additional weight BiTurbo	6
18	073954	Countersunk screw M16x30 DIN 7991 10.9	4
19	087770	Eye screw M12x55 DIN 444	2
20	014859	Schnorr washer M6	8
21	087708	Bearing bock bolt BiTurbo	4
22	017549	Zylinder head screw M10x50 DIN 912	4
23	087745	BG Excenter Shaft BiTurbo	1
24	014734	Cylinder head screw M8x20 DIN 912	2
25	087771	Cylindrical pin 12x60 DIN 7979	2
26	017553	Lens head screw M6x12	2
27	017610	Cylinder head screw M5x16 DIN 912	4
28	014858	Schnorr washer M5	4
29	018770	El.stop-nut M12 DIN 985	2
30	014830	Washer M12 DIN 125 A	2
31	079862	safety washer M10	2
32	088886	Control cable impact motor BiTurbo	1

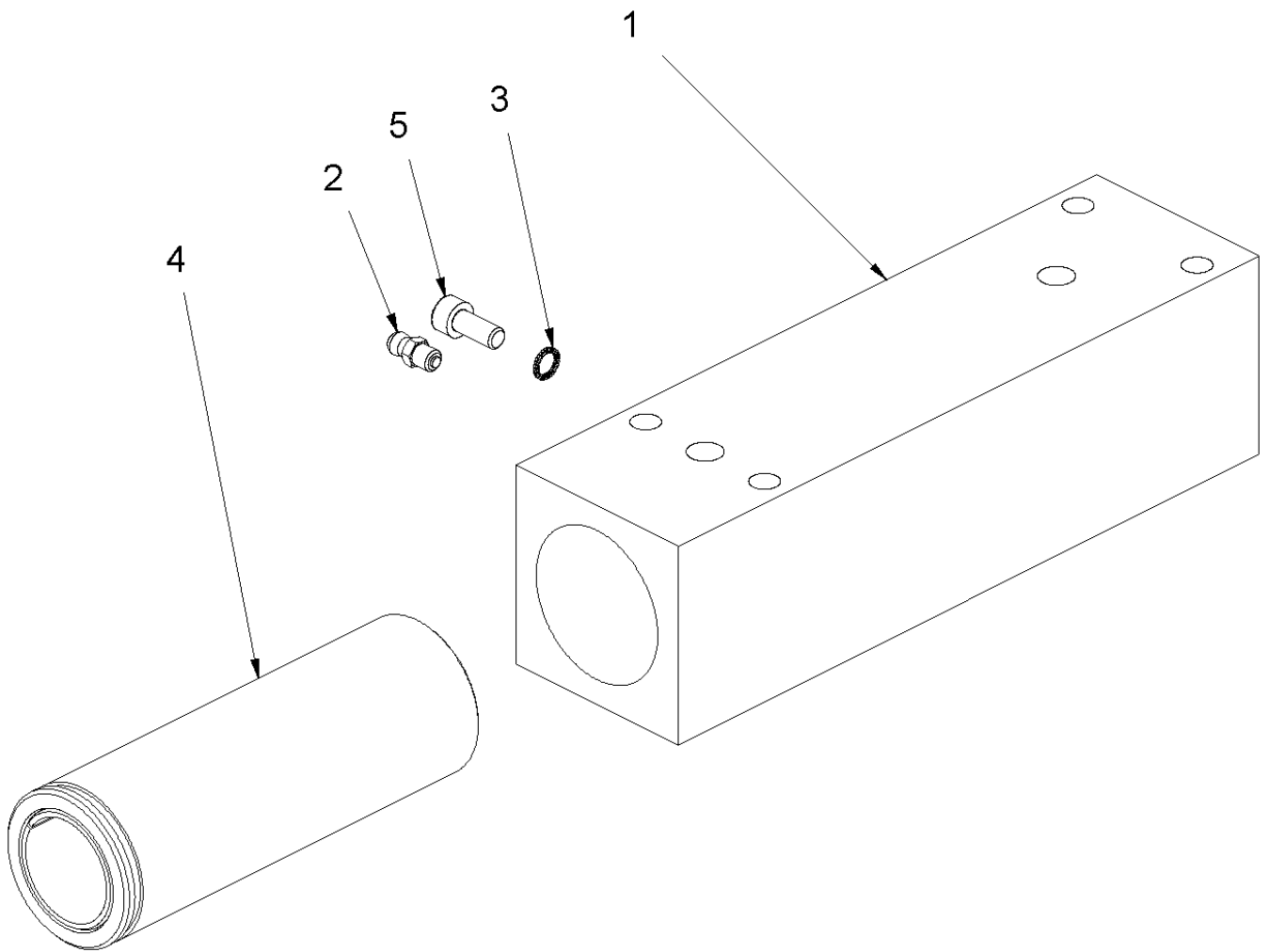
5 Swinger complete BiTurbo



5 Swinger complete BiTurbo

Item no.	Article no.	Description	Quantity
1	087640	Swing arm BiTurbo	1
2	087675	Adjustable oscillator BiTurbo	1
3	015132	Guide sleeve round Turbo/Bau	2
4	087693	Blade holder BiTurbo	1
5	014744	Cylinder head screw M12x30 DIN 912	2
6	014780	Hexagon head screw M12x 30 DIN 933	4
7	017651	Cylinder head screw M8x16 DIN 912	5
8	014860	Schnorr Washer M8	5
9	087780	Safety washer M12 LL	6
10	087870	Special screw rubber buffer BiTurbo	2
11	014833	Washer 13 DIN 433	2

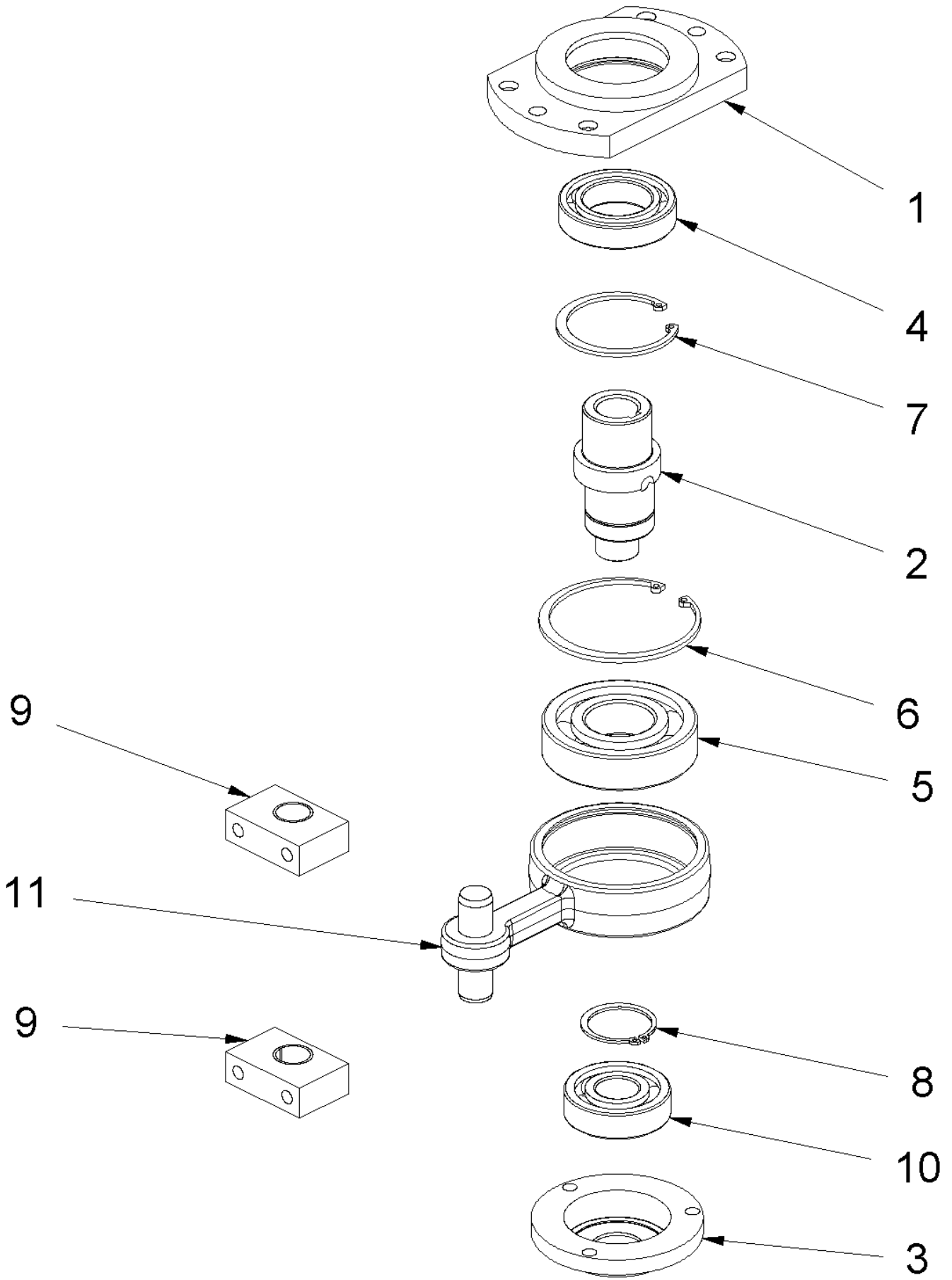
6 Sleeve complete BiTurbo



6 Sleeve complete BiTurbo

Item no.	Article no.	Description	Quantity
1	087679	Guide sleeve square BiTurbo	1
2	014914	Lubricating nippel H1 M6	1
3	014859	Schnorr washer M6	1
4	088501	Exchange sleeve BiTurbo	1
5	014727	Cylinder head screw M 6x14 DIN 912	1

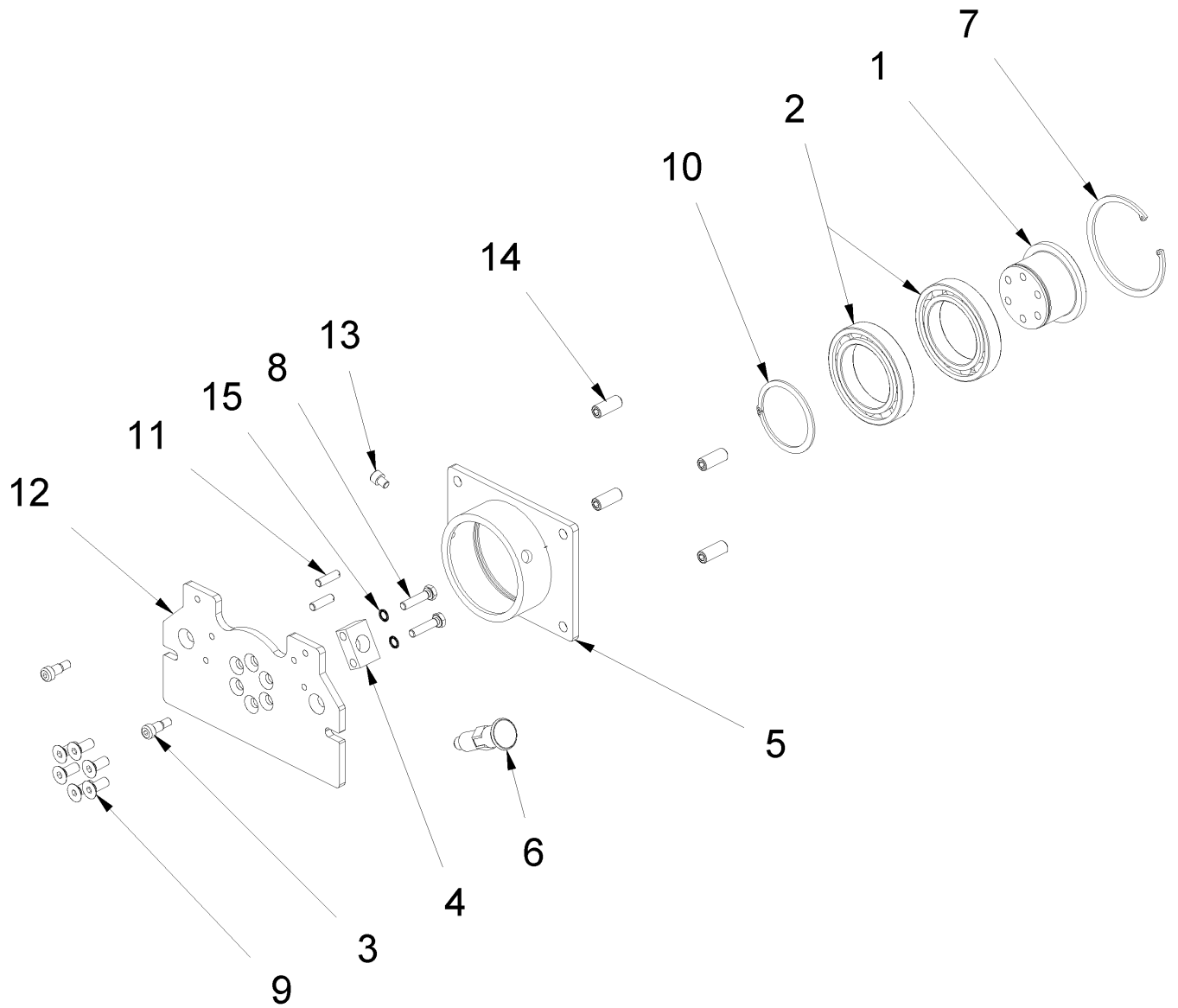
23 BG Excenter Shaft BiTurbo



23 BG Excenter Shaft BiTurbo

Item no.	Article no.	Description	Quantity
1	087695	Motor flange BiTurbo	1
2	087669	Excenter Shaft BiTurbo	1
3	087691	Bearing flange eccentric shaft BiTurbo	1
4	014706	Ball-bearing 6008 2RS1 C3	1
5	087781	Ball bearing 6308-2RS1/C3	1
6	087774	Circlip I90 DIN 472	1
7	073955	Safety washer I68DIN 472	1
8	087772	Looking ring A40 DIN 471	1
9	087728	Connecting rod bearing complete BiTurbo	2
10	014712	Ball bearing 6305	1
11	088610	Connecting rod BiTurbo	1

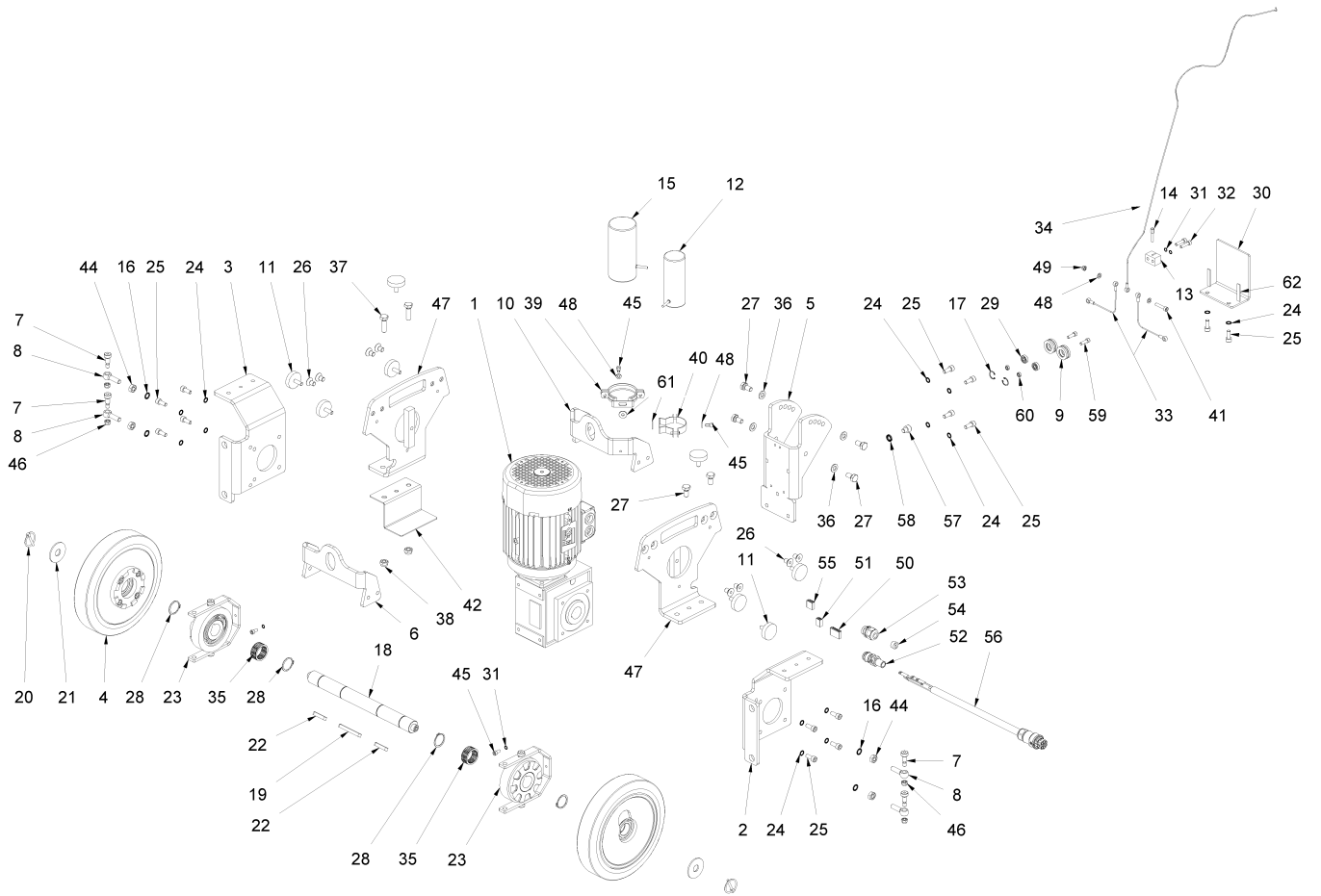
2 Swivel joint



2 Swivel joint

Item no.	Article no.	Description	Quantity
1	073869	Gear shaft Robo-Stripper	1
2	073793	Ball bearing 6017 2RS1	2
3	087779	Screw M10x16 DIN 7379	2
4	087707	Bearing bock locking bolt BiTurbo	1
5	087633	Sleeve swivel joint BiTurbo	1
6	072154	Locking pin size 5 Form C - M24x2 Ø16	1
7	087776	Circlip I130 DIN 472	1
8	014778	Hexagonal screw M10x 45 DIN 933	2
9	018333	Countersunk screw M12x30 DIN 7991blank	6
10	076749	Safety washer A85 DIN 471	1
11	052452	Shaft screw M10x35 DIN 427	2
12	087628	Mounting plate drive BiTurbo	1
13	018302	Cylinder head screw M10x12 DIN 912	1
14	085925	Headless pin M16x40 ISO 4026 A2	4
15	014861	Washer M10	2

3 Drive unit



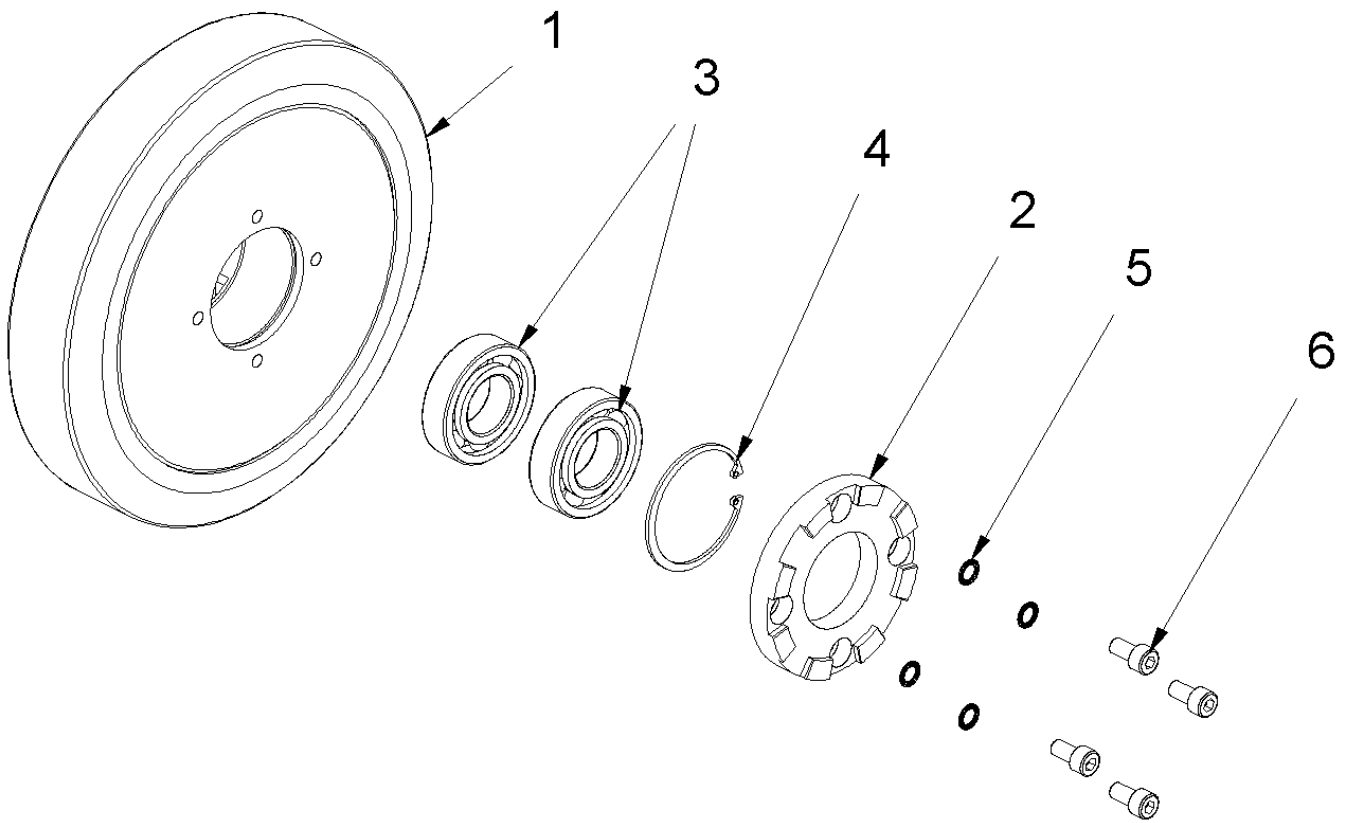
3 Drive unit

Item no.	Article no.	Description	Quantity
1	087731	Geared motor 1,5kW 230V BiTurbo	1
2	087611	Holder additional weights left BiTurbo	1
3	087608	Holder additional weights right BiTurbo	1
4	087718	Drive wheel complete Ø250 BiTurbo	2
5	087600	Handle holder BiTurbo	1
6	088619	Strut front additional weights BiTurbo	1
7	018724	Fitting bolt M 8x16 ISO7379	4
8	014672	Eye screw M10x35 DIN 444	4
9	087871	Pulley Bowden cable BiTurbo	2
10	087598	Strut behind additional weights BiTurbo	1
11	032752	Rubber metal buffer 40x10-M8x23 Typ D	8
12	088290	Operating capacitor 32µF SEE 169012	1
13	087836	Holder adjusting screw BiTurbo	1
14	088615	Adjusting screw Bowden cable slotted bot	1
15	088289	Capacitor 150µF 230V BiTurbo	1
16	014861	Washer M10	4
17	017693	Safety washer I19 DIN 472	2
18	087676	Drive Shaft Axle BiTurbo	1
19	073949	Feather key 8x7x70 DIN 6885	1
20	014888	Wheel pin 4,5mm	2
21	087800	Washer 17 DIN 9021	2
22	039457	Feather key 8x7x40 DIN 6885	2
23	087751	Tooth coupling complete BiTurbo	2
24	014860	Schnorr Washer M8	14
25	014734	Cylinder head screw M8x20 DIN 912	14
26	088509	Countersunk bolt M10x16 DIN 7991 10.9	8
27	083696	Hexagonal screw M 10x20 DIN933 8.8 vz.	6
28	014853	Safety washer A30 DIN 471	4
29	017538	Ball bearing DIN625-626 6x19x6 2RS	2
30	087839	Cover Clutch BiTurbo	1
31	014859	Schnorr washer M6	4
32	014731	Cylinder head screw M6x25 DIN 912	2
33	088613	Bowden cable BiTurbo short	2
34	088614	Bowden cable BiTurbo long	1

3 Drive unit

Item no.	Article no.	Description	Quantity
35	087944	Wave spring Ø40xØ30x27	2
36	014829	Washer M10 DIN 125 A	4
37	018167	Hexagonal screw M10x 35 DIN 933	2
38	014817	Hexagon nut M10 DIN 985	2
39	088591	Pipe clamp Ø63" galva.verzinkt	1
40	088590	Pipe clamp Ø48-54" galvanized	1
41	017678	Cylinder head screw M6x30 DIN 912	1
42	088609	Protection plate BiTurbo	1
43	017724	Washer DIN 9021 6,4x18x1,6	2
44	014811	Hexagon nut M 10 DIN 934	4
45	014726	Cylinder head screw M6x12 DIN 912	4
46	014816	Hexagon nut M8 DIN 985	4
47	087602	SG Frame additional weights BiTurbo	2
48	014827	Washer M6 DIN 125 A	4
49	014815	Hexagon nut M6 DIN985	1
50	072951	Terminal connector 5-fold	1
51	050146	Connecting terminal 2-fold	1
52	087758	Cable glandSR-M 20x1,5/KB13-15mm	1
53	051948	Cable gland M20x1.5	1
54	088599	Seal insert multiple 2x6mm	1
55	050145	Connection terminal 3-fold	1
56	088883	Control cable Motor drive BiTurbo	1
57	088664	Cylinder head screw M 10x10 DIN 912	1
58	079862	safety washer M10	1
59	014730	Cylinder head screw M 6x20 DIN 912	2
60	014809	Hexagon nut M6 DIN 934	2
61	017724	Washer DIN 9021 6,4x18x1,6	1
62	014932	Rubber sleeve	1

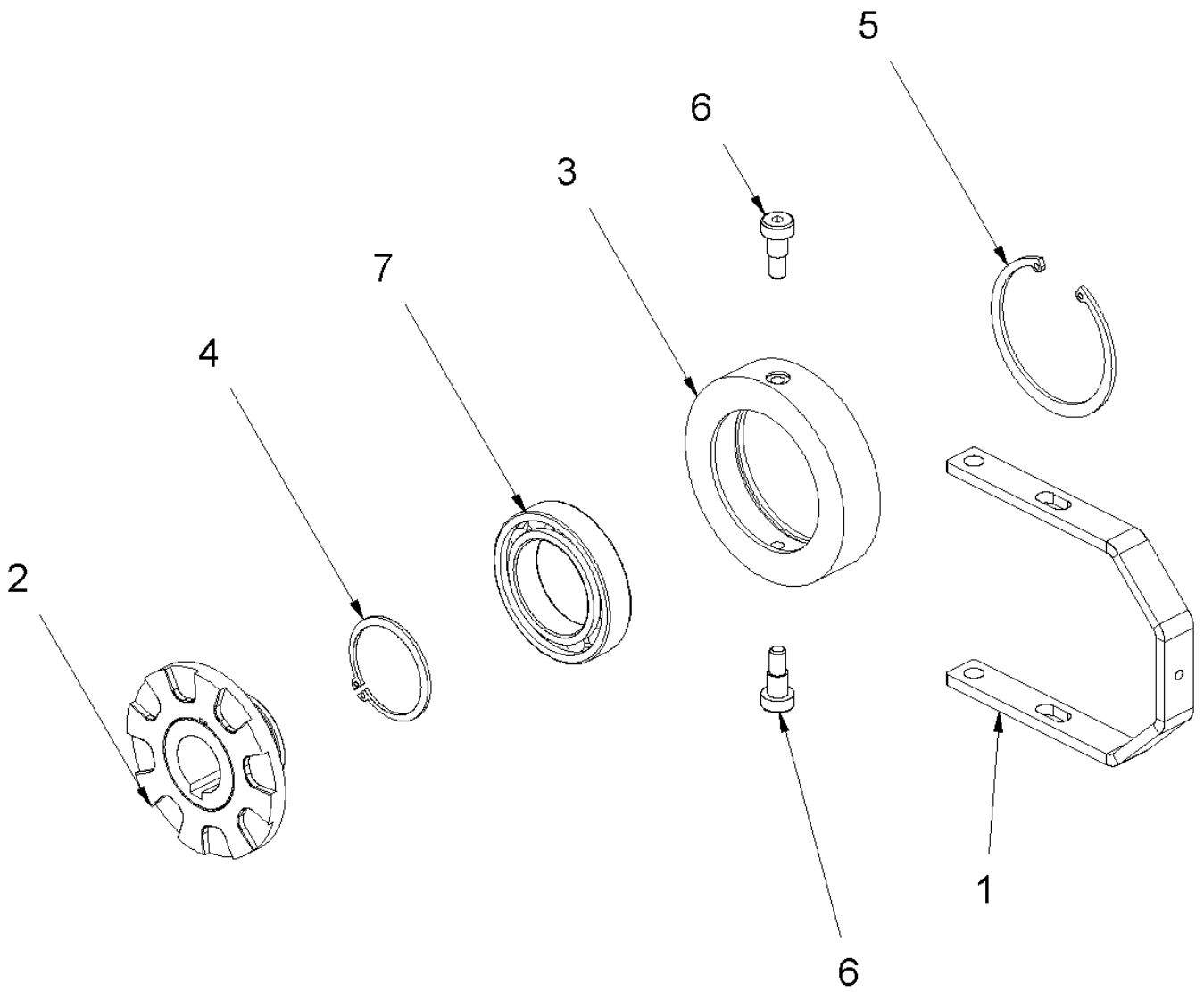
4 Drive wheel complete Ø250 BiTurbo



4 Drive wheel complete Ø250 BiTurbo

Item no.	Article no.	Description	Quantity
1	087876	Drive wheel Ø250mm BiTurbo	1
2	087704	Tooth clutch wheel Z8 BiTurbo	1
3	014710	Ball bearing 6206 2RS1 C3	2
4	014856	Safety washer I62 DIN 472	1
5	014860	Schnorr Washer M8	4
6	017651	Cylinder head screw M8x16 DIN 912	4

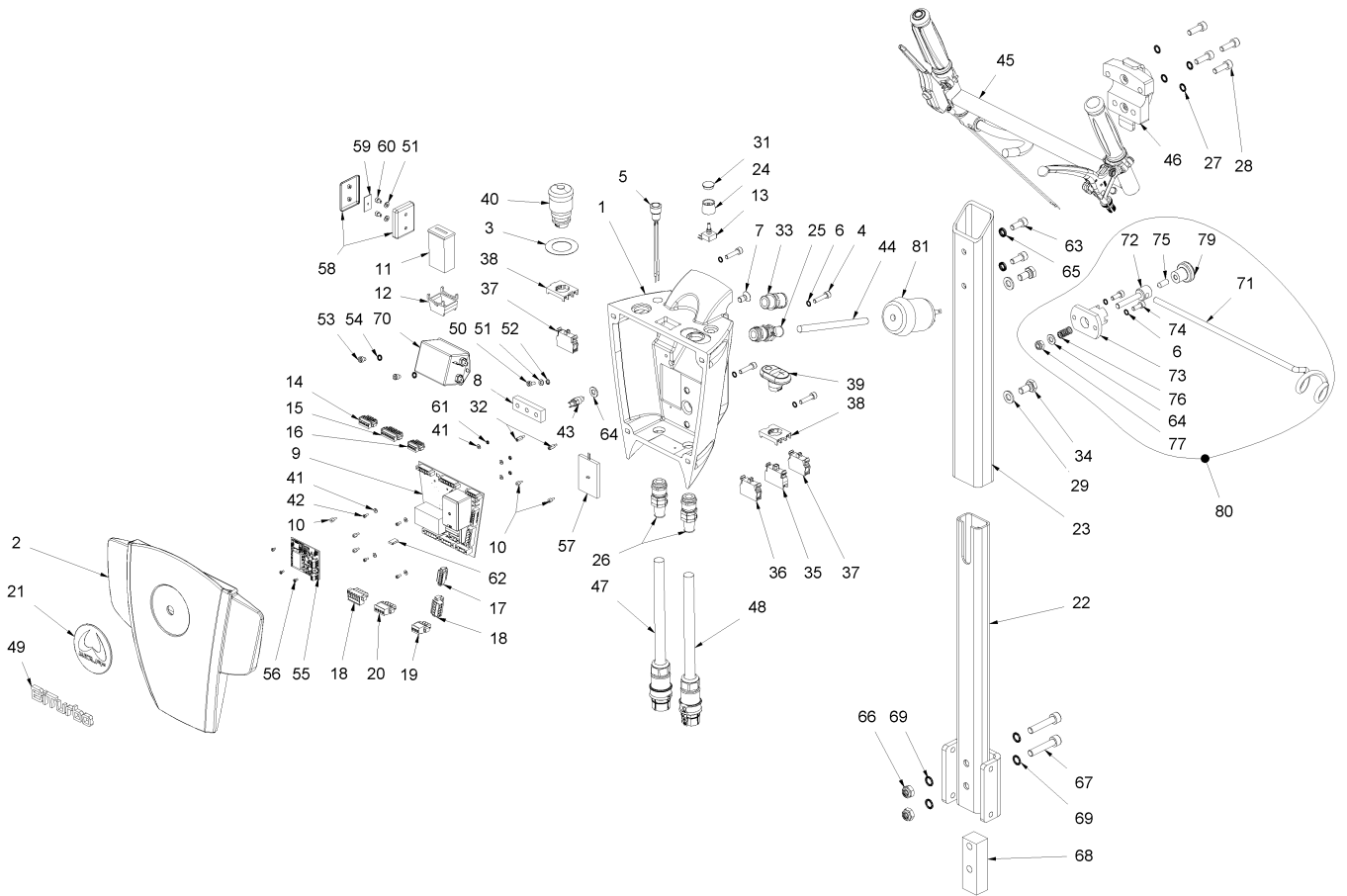
23 Tooth coupling complete BiTurbo



23 Tooth coupling complete BiTurbo

Item no.	Article no.	Description	Quantity
1	087647	Clutch bracket BiTurbo	1
2	087748	BGTooth coupling Z8 axis BiTurbo	1
3	087694	Driving plate BiTurbo	1
4	087778	Looking ring A50 DIN 471	1
5	087777	Circlip I80 DIN 472	1
6	052936	Screw M8x12 DIN 7379	2
7	059064	Grooved ball bearing 6010 2RS C3 (EE 330	1

4 Handle



4 Handle

Item no.	Article no.	Description	Quantity
1	087735	Switch housing with counter BiTurbo	1
2	082823	Cover MO with FU 230V BiTurbo	1
3	136966	Label emergency C-Stiel	1
4	014731	Cylinder head screw M6x25 DIN 912	4
5	088818	Switch 2-stage with cable BiTurbo	1
6	014859	Schnorr washer M6	6
7	014764	Countersunk screw M8x16 DIN7991 micro	1
8	087740	Terminal strip Handel BiTurbo	1
9	088481	Control board BiTurbo	1
10	088323	Spacer M2,5x5mm SW5 BiTurbo	5
11	089251	XS Service hour meter 230V Hz	1
12	084731	Holder Service hour meter Typ 250	1
13	014650	Potentiometer 100kOhm with cable	1
14	088327	Terminal block 3,50mm 6 PIN Horizontal	1
15	088328	Terminal block 3,5mm 8 PIN horizontal	1
16	088330	Terminal block 3,5mm 5 PIN horizontal	1
17	088335	Terminal block 3,5mm 6 PIN vertical	1
18	088336	Terminal block 5mm 5 PIN vertical	2
19	088337	Terminal block 5mm 3 PIN horizontal	1
20	088339	Terminal block 5mm 4 PIN horizontal	1
21	118141	Label Wolff 3D d80mm	1
22	087595	SG Inside tube BiTurbo	1
23	087649	Outer tube handle BiTurbo	1
24	088520	Rotary knob Ø20 black Poti	1
25	084796	Cable gland SR-M 20x1,5KB11-13mm	1
26	087758	Cable glandSR-M 20x1,5/KB13-15mm	2
27	014860	Schnorr Washer M8	4
28	014735	Cylinder head screw M8x25 DIN 912	4
29	014829	Washer M10 DIN 125 A	2
31	088521	Cap Turn knob Ø20 black Poti	1
32	088324	Spacer M2,5x10mm SW5 BiTurbo	2
33	088463	Cable gland NW16 M20x1,5	1
34	083696	Hexagonal screw M 10x20 DIN933 8.8 vz.	2
35	038638	LED for signal lamp	1

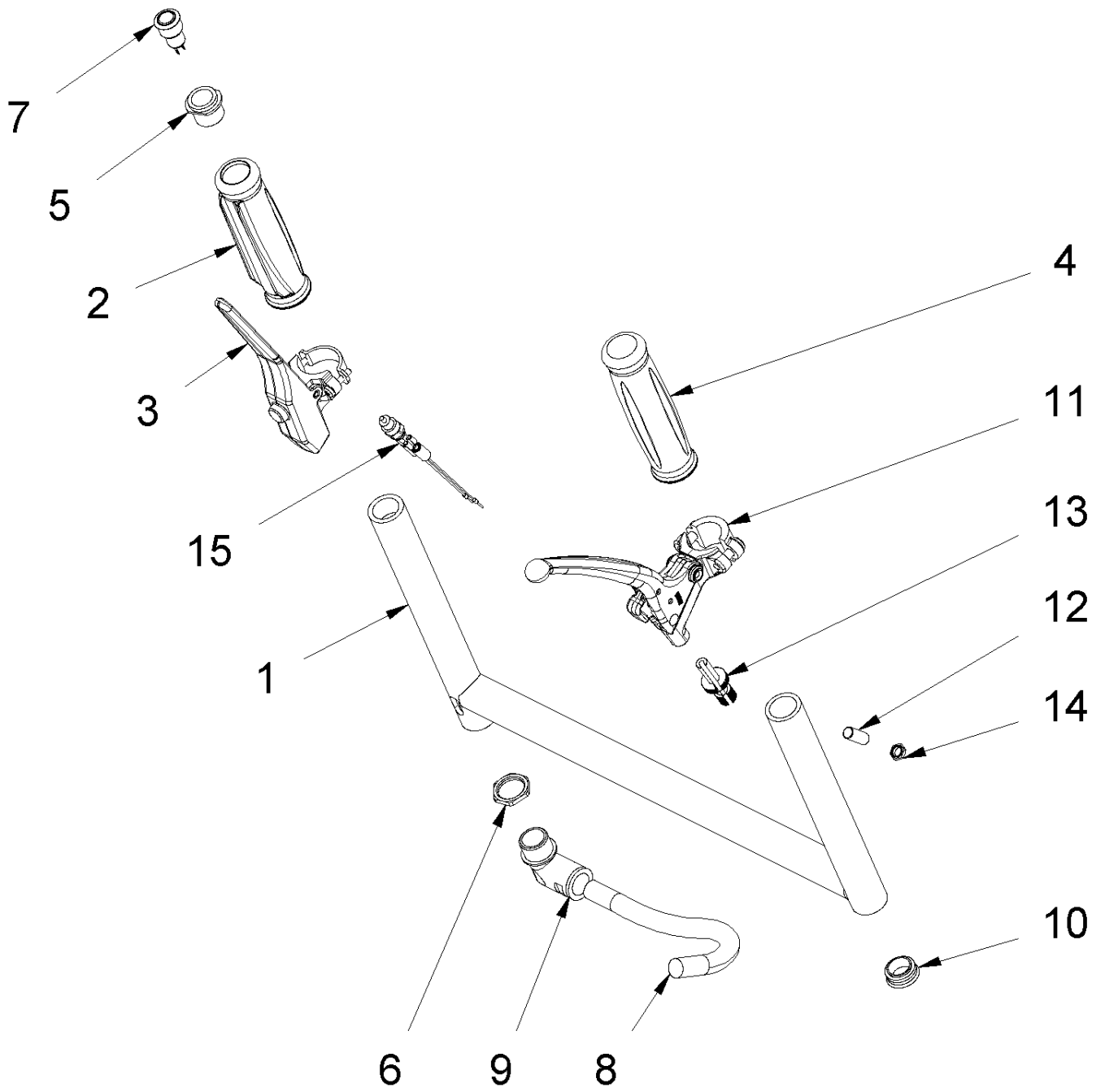
4 Handle

Item no.	Article no.	Description	Quantity
36	165609	Contact element shut Eaton screwed	1
37	165634	Contact element Opener Eaton screwed	2
38	017503	Adapterattachment	2
39	017499	Double pressure calipers	1
40	052443	Safety switch	1
41	088561	Washer M2,7 DIN 125 A	7
42	088576	Cylinder head screw M2,5x6 DIN 912 12.9	4
43	038581	Switch f. Dead-man-seized handle	1
44	072222	El.cord3G2,5 ² x0,36m black without plug	1
45	088990	Handle complete BiTurbo	1
46	088988	Backstop complete BiTurbo	1
47	088884	Control cable striking mechanism handel	1
48	088882	Control cable Drive handel BiTurbo	1
49	154707	Label BiTurbo large handle	1
50	014717	Cylinder head screw M4x10 DIN 912	1
51	017452	Washer M4 DIN 125 B	3
52	017663	Tooth lock washer 4.3 Form A DIN 6797	1
53	018276	Cylinder head screw M5x6 DIN 912	2
54	014858	Schnorr washer M5	2
55	088650	IMM Set-up kit Standard worldwide Li 5Wh	1
56	088800	Cylinder head screw M 2,5x4 DIN 912	3
57	089108	IMM Battery (LiPo 1260mAh) Li 5Wh	1
58	089080	IMM Antenna Kit	1
59	089080	IMM Antenna Kit	1
60	081714	Cylinder head screw M 4X6 DIN 912	2
61	088801	Hexagon nut M2,5 DIN 934	3
62	088833	Protective cap for flat plug 6.3 mm	1
63	014734	Cylinder head screw M8x20 DIN 912	2
64	014828	Washer M8 DIN 125 A	2
65	066929	Safety washer M 8	2
66	014817	Hexagon nut M10 DIN 985	2
67	017549	Zylinder head screw M10x50 DIN 912	2
68	011775	Clamping piece inner tube BiTurbo	1
69	014861	Washer M10	4

4 Handle

Item no.	Article no.	Description	Quantity
70	088601	Mains filter 250V AC 16A BiTurbo	1
71	161668	Cable support arm BiTurbo	1
72	161667	Bolt Cable extension BiTurbo	1
73	161665	Sleeve Cantilever arm BiTurbo	1
74	014729	Cylinder head screw M 6x16 DIN 912	2
75	018178	headless pin M 8x20 DIN 914	1
76	017557	Pressure spring D151B / 11x22x1	1
77	014816	Hexagon nut M8 DIN 985	1
79	161661	Knurled knob M8x31 black	1
80	161669	Cable support compl. BiTurbo	1
81	060546	Twist-Lock Plug 250V 30A NEMA L6-30P	1

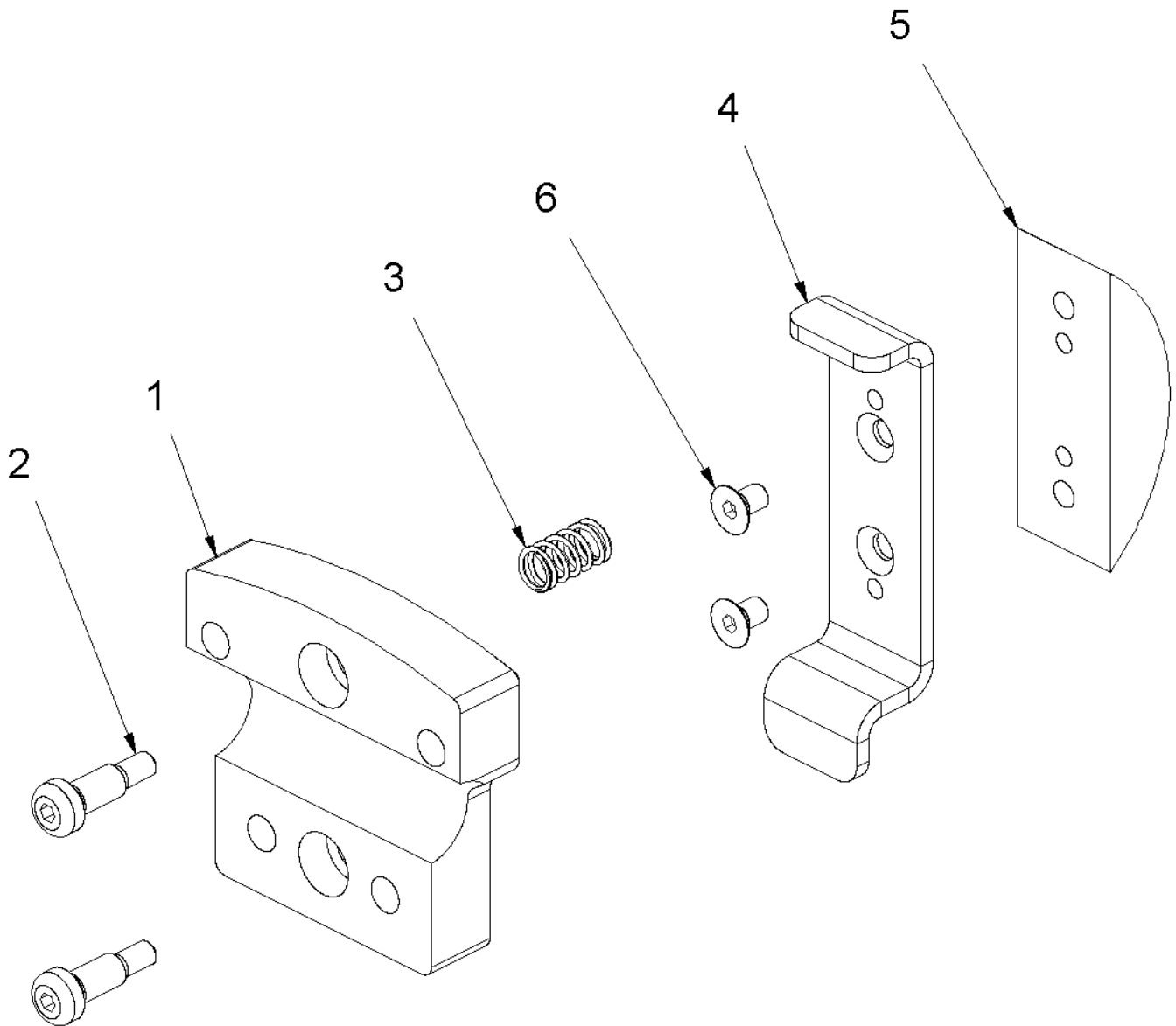
45 Handle complete BiTurbo



45 Handle complete BiTurbo

Item no.	Article no.	Description
1	088318	Handle BiTurbo
2	087816	Grip covering Totman BiTurbo
3	032751	Dead-man-seized handle
4	069782	Grip covering left VarioSilent/CaymanSt
5	087817	Thread socket Pushbutton/switch BiTurbo
6	088345	Lock nut M20x1,5
7	087933	Reverse button BiTurbo
8	159137	Cable Sleeve BiTurbo 17cm
9	088344	Elbow fitting M20x1,5/1GY
10	017782	Stopper d19,0-21,5 x 11 black
11	088303	Clutch handle Magura BiTurbo
12	088616	headless pin M8x1x20 DIN 913
13	088618	Adjusting screw slotted M8x45
14	088617	Lock nut M8x1 DIN 439
15	088822	Switch deadman with cable BiTurbo

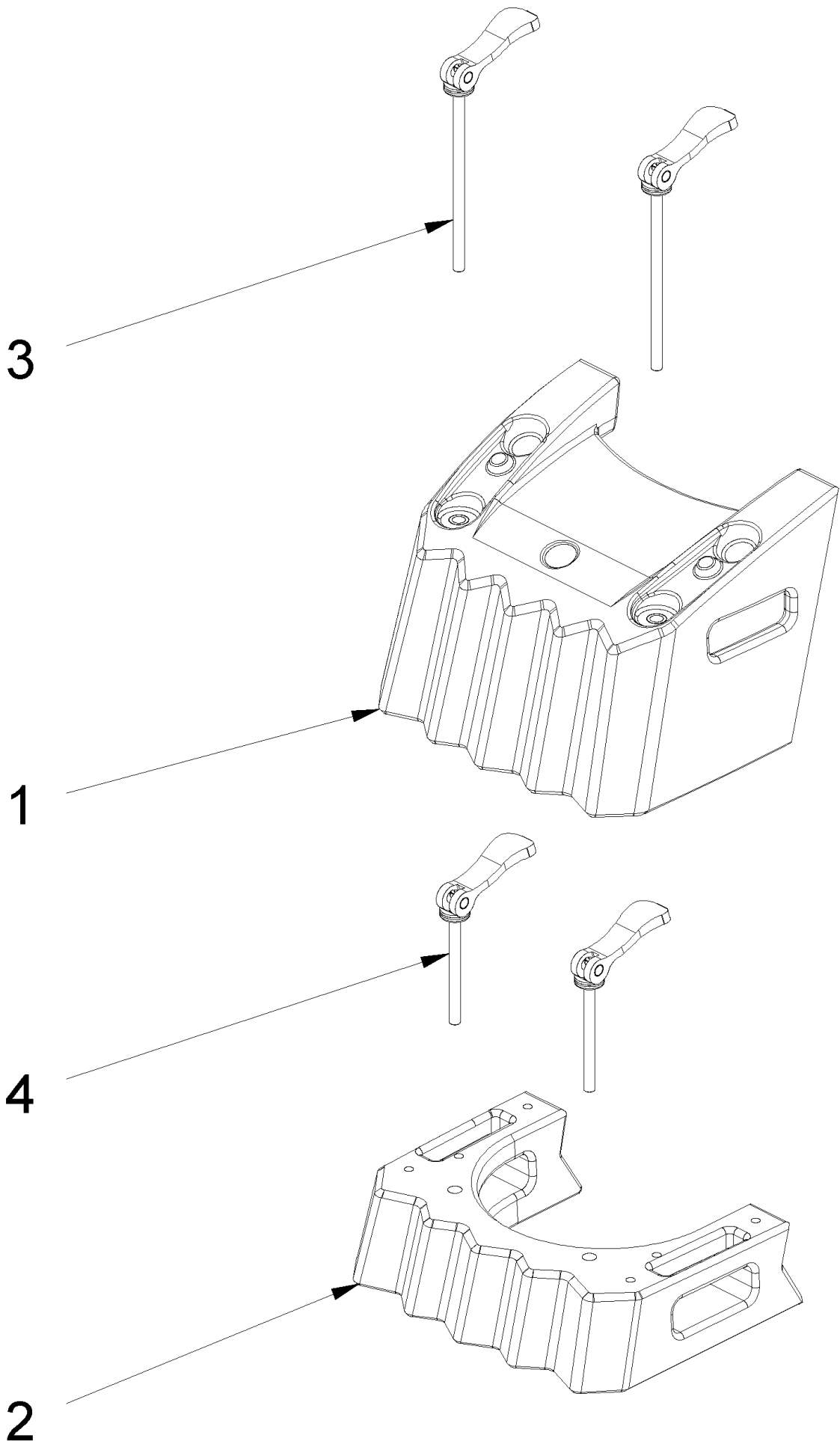
46 Backstop complete BiTurbo



46 Backstop complete BiTurbo

Item no.	Article no.	Description	Quantity
1	087787	Handle clamp BiTurbo	1
2	088761	Screw M6x16 DIN 7379	2
3	088816	Pressure spring VD-195A-15 Ø11x20xØ1,25	1
4	088696	Backstop Plate BiTurbo	1
5	088721	Backstop mushroom BiTurbo	1
6	017726	Countersunk screw M6x10 DIN 7991 10.9	2

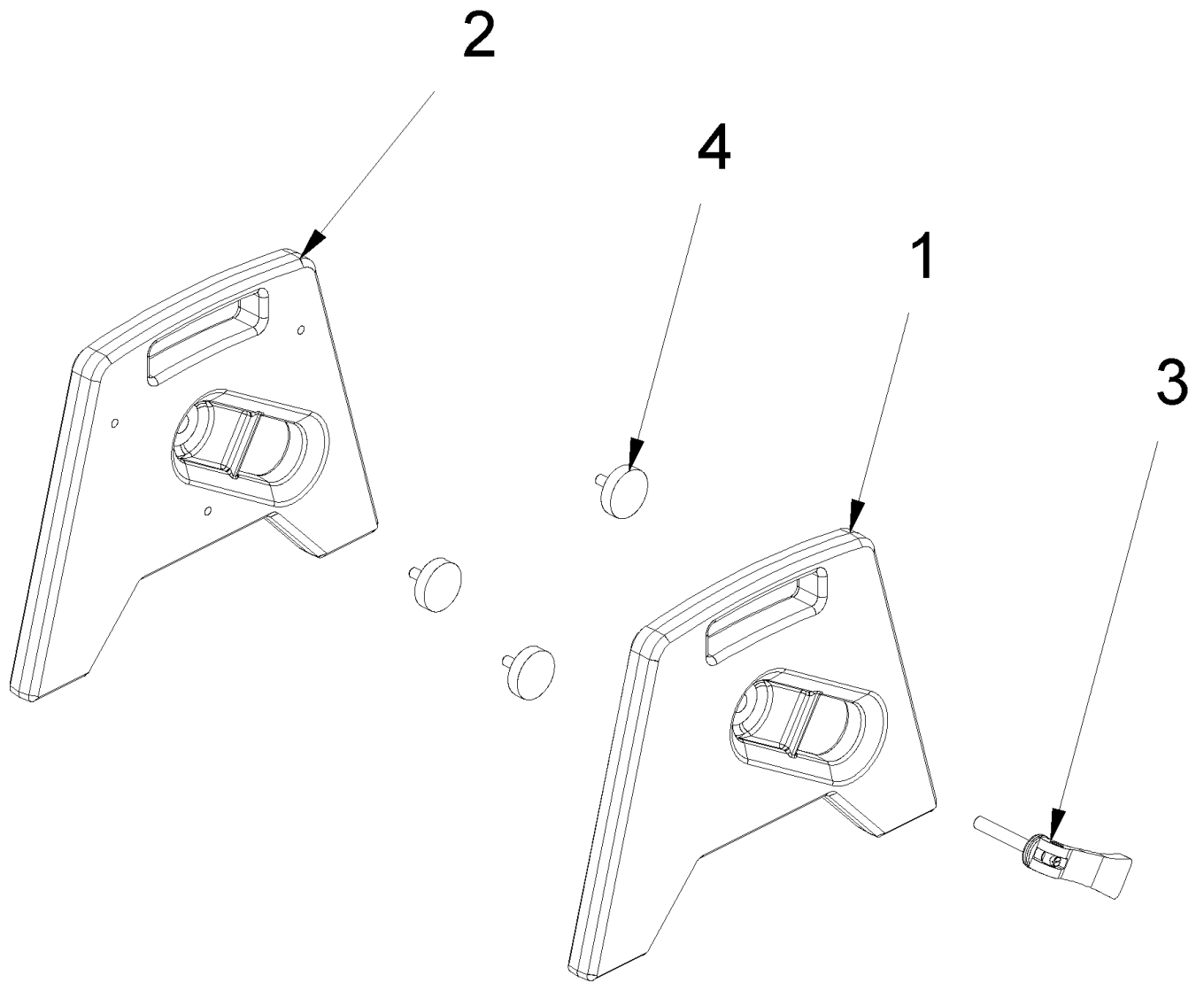
5 Front weights



5 Front weights

Item no.	Article no.	Description	Quantity
1	087834	Additional weight front top BiTurbo	1
2	087835	Additional weight front bottom BiTurbo	1
3	087887	Eccentric lever length M10x185mm	2
4	087886	Eccentric lever length M10x110mm	2

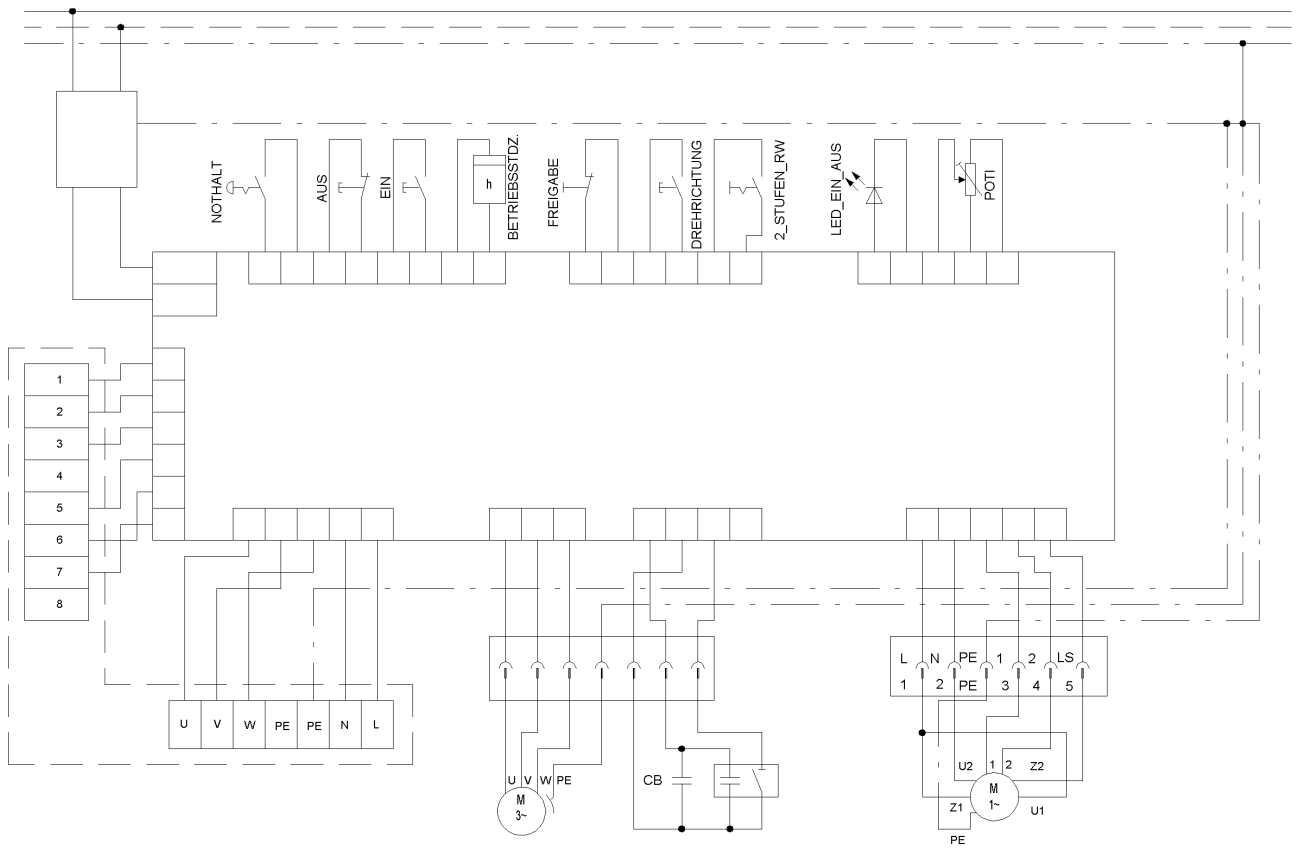
6 Rear weights



6 Rear weights

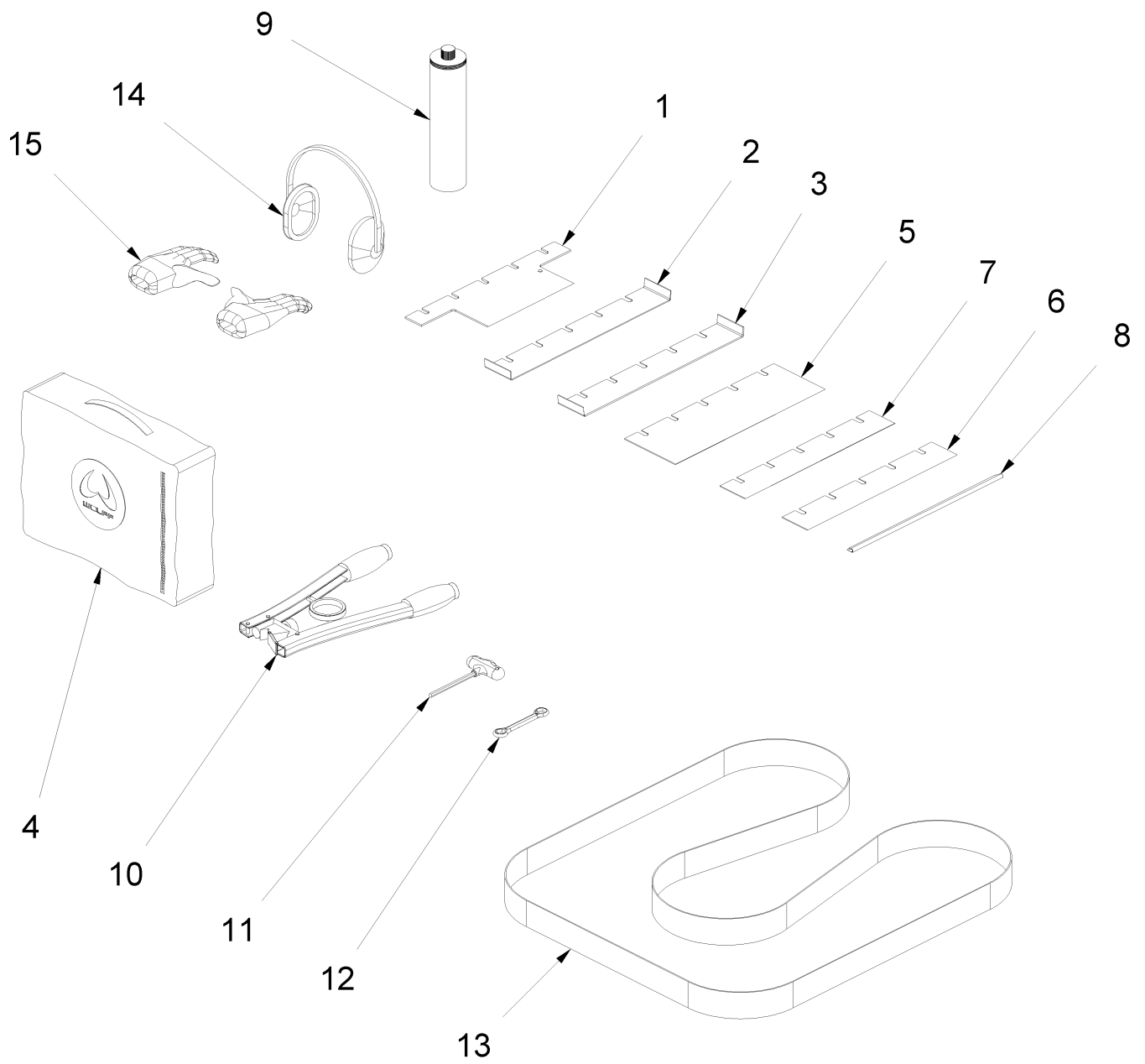
Item no.	Article no.	Description	Quantity
1	087833	Additional weight outside rear BiTurbo	2
2	088442	Additional weight rear inside BiTurbo	2
3	087885	Eccentric lever length M10x60mm	2
4	032752	Rubber metal buffer 40x10-M8x23 Typ D	6

7 Circuit diagram



7 Circuit diagram

8 Tool kit



8 Tool kit

Item no.	Article no.	Description	Quantity
1	079637	Parquet blade 200x120x3	1
2	038933	U-Blade 350mm bottom cutting edge	1
3	013983	U-Blade 350mm top cutting edge	1
4	054064	Tool bag green - Wolff	1
5	013982	Spare blade, 350 x 120 x 1,5 mm	1
6	013978	Spare blades, 350 x 60 x 1,0 mm, 10 pcs.	1
7	013979	Spare blades, 350 x 60 x 1,5 mm, 10 pcs.	1
8	017647	Blade protection 350mm	1
9	087733	Lagermeister WHS 2002 500g SR-cartridge	1
10	087466	Two-hand grease gun	1
11	019141	T-handle 6-kt SW 6	1
12	088851	Double ratchet wrench SW17/19	1
13	088742	Round sling 1000 kg	1
14	015315	Hearing protectors	1
15	015809	Safety gloves 1 pair	1
16	087952	Operating Manual BiTurbo DE,EN,FR	1

9 Accessories

Item no.	Article no.	Description	Quantity
1	013978	Spare blades, 350 x 60 x 1,0 mm, 10 pcs.	1
2	013979	Spare blades, 350 x 60 x 1,5 mm, 10 pcs.	1
3	013980	Spare blades, 200 x 60 x 1,5 mm, 10 pcs.	1
4	013981	Spare blades, 150 x 60 x 1,5 mm, 10 pcs.	1
5	013982	Spare blade, 350 x 120 x 1,5 mm	1
6	013983	U-Blade 350mm top cutting edge	1
7	038933	U-Blade 350mm bottom cutting edge	1
8	039362	Special blade, heavy type, 350 mm	1
9	079634	Parquet knife 350x150x3	1
9	079636	Parquet knife 350x120x3	1
10	079635	Parquet knife 350x150x3 toothed	1
10	079637	Parquet blade 200x120x3	1
11	079638	Parquet knife 100x120x3 toothed	1
12	079639	Blade 350x120x3 (Parquet knife thooted)	1
13	081205	Blade 350 x 60 x 1,5 mm serrated	1
14	080358	Parquet knife 350x150x3toothed w.def cpl	1
15	080359	Parquet knife 350x150x3 cpl.	1
16	062227	Running gear for Turbo	1
17	088300	Ergo Cutter Pro	1
18	015315	Hearing protectors	1
19	015809	Safety gloves 1 pair	1
20	036690	Extension cord 3G1,5x10 black Schuko	1
21	036742	Extension cord 3G1,5x10 black CH	1
22	054064	Tool bag green - Wolff	1