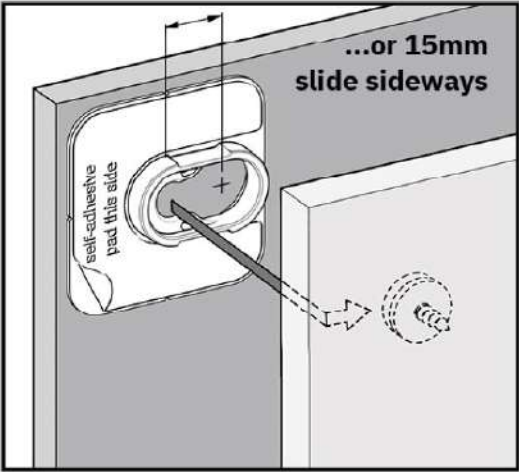
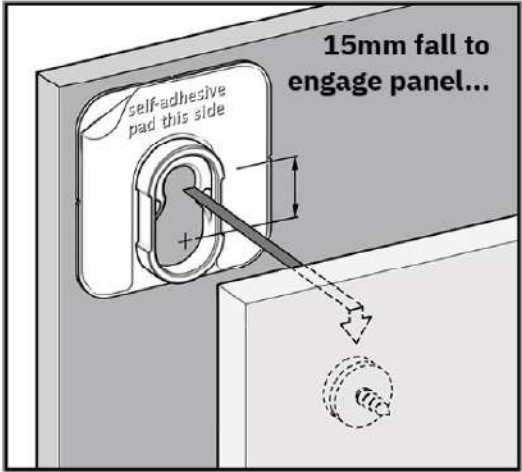
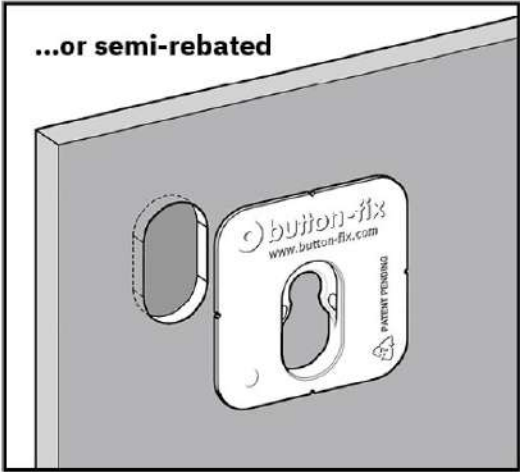
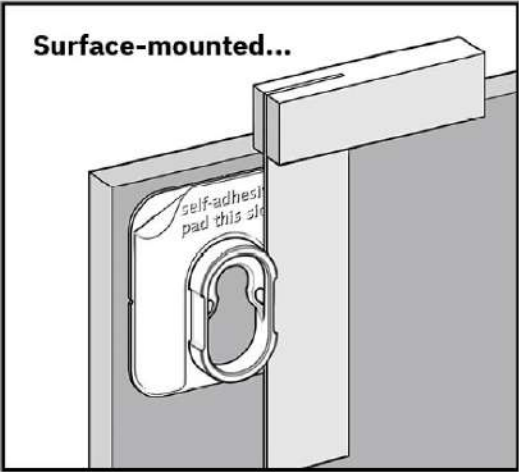


# Instructions for Button-fix Type 1 Bonded



The Type 1 Bonded Fix can be surface-mounted, creating an 8mm gap between the panels, or semi-rebated to reduce the gap to approximately 2mm. Engage the Buttons in the Fix and slide the panel down by 15mm, until Button-fix goes 'click!'. The Type 1 Bonded Button-fix can be configured for sideways assembly too.