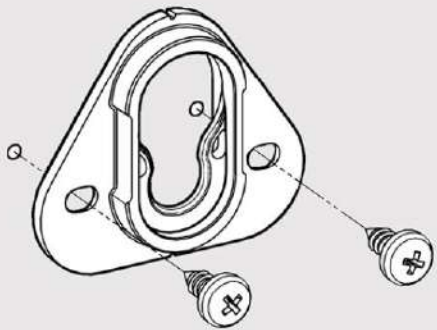
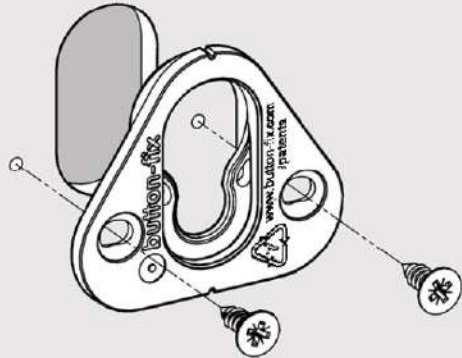


Instructions for Button-fix Type 1

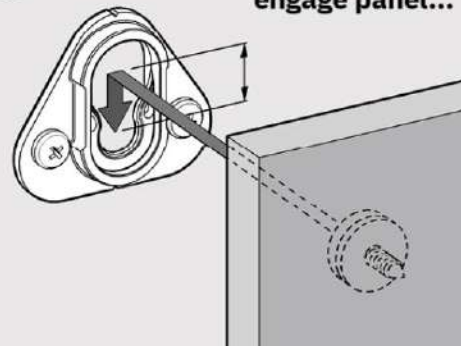
Surface-mounted...



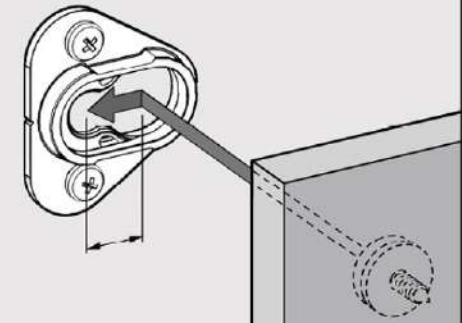
...or semi-rebated



15mm fall to engage panel...



...or 15mm slide sideways



The Type 1 Fix can be surface-mounted, creating an 8mm gap between the panels, or semi-rebated to reduce the gap to 3mm. Engage the Buttons in the Fix and slide the panel down by 15mm, until Button-fix goes 'click'. The Type 1 Button-fix can be configured for sideways assembly too.