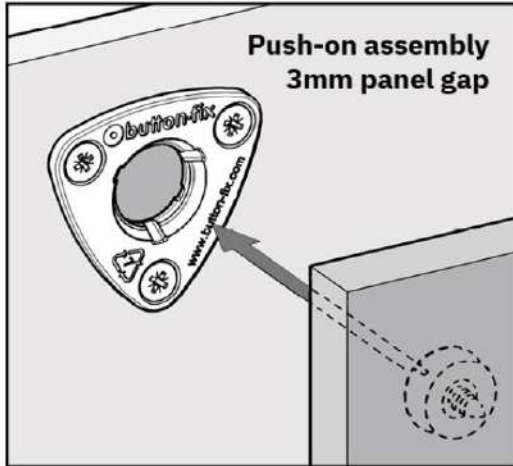
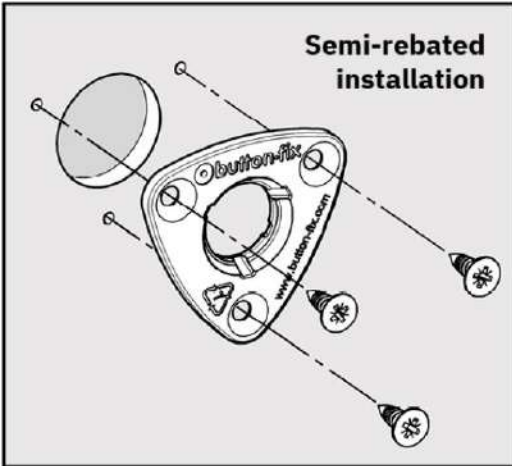
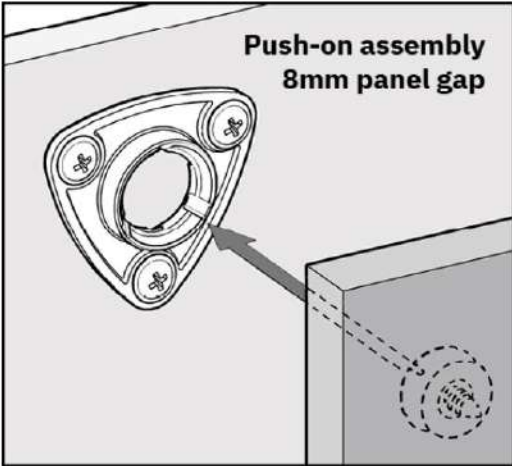
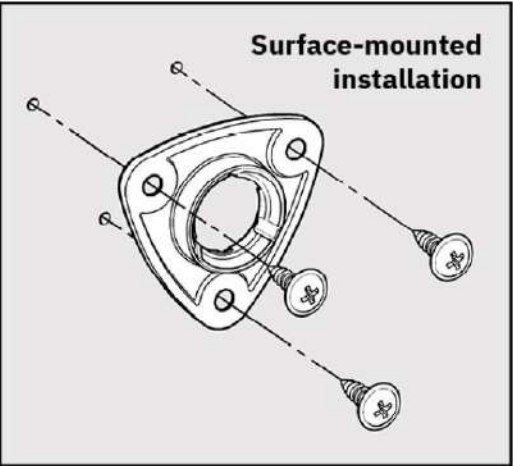


# Instructions for Button-fix Type 3



The Type 3 Fix can be surface-mounted, creating an 8mm gap between the panels, or semi-rebated to reduce the gap to 3mm. Align the Buttons with the Fixes and press firmly until each Button-fix goes 'click'. No clearance at the sides of the panel is required for assembly or removal.